

Magtech™ Level Indicator Configuration Data Sheet

★ Default ○ Select only one of the items provided □ One or more of the listed items can be selected

General information	
Company: _____	Phone No.: _____ Date: _____
Contact name: _____	RFQ No.: _____
Email: _____	Tag: _____



Process conditions	
Pressure	Minimum: _____ Oper: _____ Max: _____ Units of measurement: _____
Temperature	Minimum: _____ Oper: _____ Max: _____ Units of measurement: _____
Description of media	_____
Specific Gravity (SG)	Minimum: _____ Oper: _____
Is this an interface measurement?	<input type="radio"/> Yes <input type="radio"/> No
If yes, Lower fluid: min SG / max SG _____ / _____ Upper fluid: min SG / max SG _____ / _____	
Does media flash or outgas in chamber?	<input type="radio"/> Yes <input type="radio"/> No

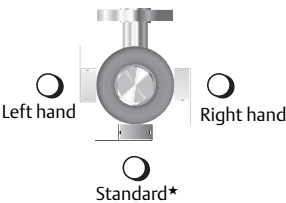
Customer-specific design criteria
Are there any existing specifications, including minimum pipe schedule, general piping specifications, or an approved manufacturer list (AML/AVL) to which this MLI must comply <input type="radio"/> Yes (please provide) <input type="radio"/> No

Mounting style	C	D	B	L	A	E
Select Style:	<input checked="" type="radio"/> ★	<input type="radio"/>	<input type="radio"/>	<input type="radio"/>	<input type="radio"/>	<input type="radio"/>

Material of construction	Process connection type		
<input type="radio"/> 316/316L SS*	<input type="radio"/> RFSO	<input type="radio"/> RFLJ	<input type="radio"/> NPTF
<input type="radio"/> 316/316L SS pipe with carbon steel flanges	<input type="radio"/> RFWN	<input type="radio"/> RTJWN	<input type="radio"/> Socket weld fitting
<input type="radio"/> Other non-magnetic material: _____	<input type="radio"/> RFSW	<input type="radio"/> NPTM	<input type="radio"/> Plain end nipple <input type="radio"/> Other: _____

Flange rating	Process connection size (inch)		
<input type="radio"/> 150# <input type="radio"/> 300# <input type="radio"/> 600#	<input type="radio"/> 1/2	<input type="radio"/> 3/4	<input type="radio"/> 1
<input type="radio"/> 900# <input type="radio"/> 1500# <input type="radio"/> Other: _____	<input type="radio"/> 1 1/2	<input type="radio"/> 2	<input type="radio"/> Other: _____

Vent	<input type="checkbox"/> Valve (Optional)	Drain	<input type="checkbox"/> Valve (Optional)
 <p>Type</p> <p><input type="radio"/> NPT*</p> <p><input type="radio"/> Flange</p> <p><input type="radio"/> SW</p> <p><input type="radio"/> Other: _____</p> <p>Size (inch)</p> <p><input type="radio"/> 1/2*</p> <p><input type="radio"/> 3/4</p> <p><input type="radio"/> 1</p>	<p>Type</p> <p><input type="radio"/> Ball</p> <p><input type="radio"/> Gate</p> <p><input type="radio"/> Other: _____</p> <p>Material</p> <p><input type="radio"/> Carbon steel</p> <p><input type="radio"/> Stainless steel</p> <p>Valve notes: _____</p>	 <p>Type</p> <p><input type="radio"/> NPT*</p> <p><input type="radio"/> Flange</p> <p><input type="radio"/> SW</p> <p><input type="radio"/> Other: _____</p> <p>Size (inch)</p> <p><input type="radio"/> 1/2*</p> <p><input type="radio"/> 3/4</p> <p><input type="radio"/> 1</p>	<p>Type</p> <p><input type="radio"/> Ball</p> <p><input type="radio"/> Gate</p> <p><input type="radio"/> Other: _____</p> <p>Material</p> <p><input type="radio"/> Carbon steel</p> <p><input type="radio"/> Stainless steel</p> <p>Valve notes: _____</p>

Indicator	Orientation (top view)	Scale units of measure
<p>Style</p> <p><input type="radio"/> Flags with scale* <input type="radio"/> None</p> <p><input type="radio"/> Follower with scale</p> <p>Flag colors</p> <p><input type="radio"/> Red/silver* <input type="radio"/> Yellow/black</p> <p><input type="radio"/> Red/white</p>	<p>Choose indicator/scale location</p>  <p>Left hand Right hand</p> <p>Standard*</p>	<p><input type="radio"/> Feet & inches*</p> <p><input type="radio"/> %</p> <p><input type="radio"/> Inches only</p> <p><input type="radio"/> Metric (5 cm increments)</p> <p><input type="radio"/> +/-</p> <p><input type="radio"/> Other (please specify): _____</p>

All item below are OPTIONAL

Options & accessories	Tests and inspections
<p><input type="checkbox"/> Welded support clip</p> <p><input type="checkbox"/> Adjustable support clip</p> <p><input type="checkbox"/> Level switches Qty _____ Rating: <input type="radio"/> 1-amp <input type="radio"/> 10-amp</p> <p><input type="checkbox"/> Pneumatic switch Qty _____ Action: <input type="radio"/> Rising <input type="radio"/> Falling</p>	<p><input type="checkbox"/> Insulation blanket</p> <p><input type="checkbox"/> Steam tracing</p> <p><input type="checkbox"/> Heat tracing (no controller)</p> <p><input type="checkbox"/> Cryogenic insulation</p> <p><input type="checkbox"/> PMI</p> <p><input type="checkbox"/> Hydrostatic test</p> <p><input type="checkbox"/> Dye pen</p> <p><input type="checkbox"/> CRN, specify province: _____</p> <p><input type="checkbox"/> X-ray</p> <p><input type="radio"/> NACE MR0103</p> <p><input type="radio"/> NACE MR0175</p>

External gage-mount transmitter		
<p><input type="checkbox"/> Magnetostrictive transmitter</p> <p><input type="checkbox"/> Reed type transmitter (analog-only)</p>	<p>Electronics location preference:</p> <p><input type="radio"/> Top <input type="radio"/> Bottom <input type="radio"/> Remote _____</p>	<p>Transmitter output options:</p> <p><input type="radio"/> Analog <input type="radio"/> HART® <input type="radio"/> FOUNDATION™ Fieldbus</p>

Documentation	
<p><input type="checkbox"/> Material Traceability Report (MTR)</p> <p><input type="checkbox"/> Drawings</p> <p><input type="radio"/> Approval <input type="radio"/> As-built</p>	<p><input type="checkbox"/> Country of origin</p> <p><input type="checkbox"/> Certificate of conformance</p> <p><input type="checkbox"/> Calibration certificate (Magnetostrictive transmitters only)</p>

Other special request (describe or provide sketch)

Global Headquarters**Emerson Process Management**

6021 Innovation Blvd.

Shakopee, MN 55379, USA

☎ +1 800 999 9307 or +1 952 906 8888

☎ +1 952 949 7001

✉ RFQ.RMD-RCC@EmersonProcess.com

North America Regional Office**Emerson Process Management**

8200 Market Blvd.

Chanhassen, MN 55317, USA

☎ +1 800 999 9307 or +1 952 906 8888

☎ +1 952 949 7001

✉ RMT-NA.RCCRFQ@Emerson.com

Latin America Regional Office**Emerson Process Management**

1300 Concord Terrace, Suite 400

Sunrise, FL 33323, USA

☎ +1 954 846 5030

☎ +1 954 846 5121

✉ RFQ.RMD-RCC@EmersonProcess.com

Europe Regional Office**Emerson Process Management Europe GmbH**

Neuhofstrasse 19a P.O. Box 1046

CH 6340 Baar

Switzerland

☎ +41 (0) 41 768 6111

☎ +41 (0) 41 768 6300

✉ RFQ.RMD-RCC@EmersonProcess.com

Asia Pacific Regional Office**Emerson Process Management Asia Pacific Pte Ltd**

1 Pandan Crescent

Singapore 128461

☎ +65 6777 8211

☎ +65 6777 0947

✉ Enquiries@AP.EmersonProcess.com

Middle East and Africa Regional Office**Emerson Process Management**

Emerson FZE P.O. Box 17033

Jebel Ali Free Zone - South 2

Dubai, United Arab Emirates

☎ +971 4 8118100

☎ +971 4 8865465

✉ RFQ.RMTMEA@Emerson.com

[Linkedin.com/company/Emerson-Process-Management](https://www.linkedin.com/company/Emerson-Process-Management)

Standard Terms and Conditions of Sale can be found at:
www.Emerson.com/en-us/pages/Terms-of-Use.aspx
The Emerson logo is a trademark and service mark of Emerson Electric Co.
FOUNDATION Fieldbus is a trademark of the FieldComm Group.
HART is a registered trademark of the FieldComm Group.
Magtech is a trademark of Emerson Process Management.
All other marks are the property of their respective owners.
© 2015 Emerson Process Management. All rights reserved.